

**STATE OF GEORGIA**

**Town of Tallulah Falls**

**INVITATION TO BID**

**TO WHOM IT MAY CONCERN:**

Notice is hereby given that the Town of Tallulah Falls will accept informal bids for the construction of a sand filtration bed submitted to the Town of Tallulah Falls, PO Box 56, 255 Main Street, Tallulah Falls, GA 30573, no later than 4:00 p.m., Thursday, March 28, 2019, The Town of Tallulah Falls City Council intends to review and award a contract to the lowest responsible, qualified, bidder at their Council meeting on April 4, 2019, at 7:00 p.m.

Bidders can obtain bid documents and shall address all questions regarding bid documents to [clerk@tallulahfallsga.gov](mailto:clerk@tallulahfallsga.gov). No questions will be answered via telephone.

Proof of General Liability Insurance and Workman's Compensation Insurance will be required with the Town of Tallulah Falls listed as an additional insured.

The Town of Tallulah Falls reserves the right to reject any and all bids and to waive any technicalities or irregularities and to award the bid based on the highest and best interests of the Town.

## Scope of Work

The project consists of a sand filtration bed. The Contractor shall furnish all materials, equipment, and labor to complete the required construction as described in its entirety to the specifications in the Construction plan documents and in the terms of this Contract including all incidentals as directed by the Town of Tallulah Falls representative. Construction plans can be found at the end of this bid document.

Unless otherwise specified, all work shall be completed in compliance with these Bid Documents. It is the intent of this Contract for the Bid to include all labor, materials, equipment, tools, transportation, and supplies required as necessary to complete the work in accordance with the plans, specifications, and the terms of this Contract. The Contractor is responsible for inspecting the site and for being thoroughly familiar with all Bid and Contract Documents.

Any items which must be removed to perform the Scope of Work that are not specifically called for removal in the drawings shall be removed by the Contractor. No claims will be considered for extra compensation.

## Minimum Contractor Qualifications

The Contractor shall have been engaged in construction and successful completion of work of similar character and magnitude for at least five years.

The Contractor's license must be active and in good standing at the time of Bid submission.

The Contractor must provide a copy of the Certificate of Insurance, Contractor Affidavit, SAVE Affidavit, Bid Submittal Form, Drug-Free Workplace Certification and W-9 included in the Bid Documents.

The Town of Tallulah Falls, GA may (i) reject any, any part of, or all bids and proposals with any party submitting a bid or proposal, or (ii) waive informalities and technicalities, (iii) negotiate directly with any party submitting a bid or proposal, or (iv) accept that proposal which the Town of Tallulah Falls, GA deems to be in its best interest, whether or not it is the lowest dollar proposal.

# BID FORM

## Town of Tallulah Falls

### BID SUBMITTAL FORM

**Project Location: Tallulah Falls, Georgia**

The undersigned BIDDER, having visited the project site and having examined these documents, and having full knowledge of the condition under which the work described herein must be performed, hereby proposes that she/he will fulfill the obligations contain herein in accordance with all instructions, terms, conditions, and specifications set forth; and that she/he will furnish all required products/services and pay all incidental costs in strict conformity with these documents for the stated prices as payment in full.

Base Bid \$ \_\_\_\_\_

Submitting Firm: \_\_\_\_\_

Address: \_\_\_\_\_

Name and Title of Authorized Representative (print/type): \_\_\_\_\_

Authorized Signature: \_\_\_\_\_

(Signature-When signed, this bid is legal and binding to Town of Tallulah Falls and acknowledges that ALL Specifications, Terms and Conditions and/or instructions to Bidders have been read and understood).

Date: \_\_\_\_\_

Email: \_\_\_\_\_

**FIRM PRICING** - Prices submitted on this bid form are firm through (minimum 90 days).

Initial below for Acknowledgement of Addenda (if any)

\_\_\_\_\_ Addendum #1    \_\_\_\_\_ Addendum #2    \_\_\_\_\_ Addendum #3    \_\_\_\_\_ Addendum #4

**Contractor Affidavit under O.C.G.A. § 13-10-91(b)(1)**

By executing this affidavit, the undersigned contractor verifies its compliance with O.C.G.A. § 13-10-91, stating affirmatively that the individual, firm or corporation which is engaged in the physical performance of services on behalf of the City of Dunwoody has registered with, is authorized to use and uses the federal work authorization program commonly known as E-Verify, or any subsequent replacement program, in accordance with the applicable provisions and deadlines established in O.C.G.A. § 13-10-91. Furthermore, the undersigned contractor will continue to use the federal work authorization program throughout the contract period and the undersigned contractor will contract for the physical performance of services in satisfaction of such contract only with subcontractors who present an affidavit to the contractor with the information required by O.C.G.A. § 13-10-91(b). Contractor hereby attests that its federal work authorization user identification number and date of authorization are as follows:

\_\_\_\_\_  
Federal Work Authorization User Identification Number

\_\_\_\_\_  
Date of Authorization

\_\_\_\_\_  
Name of Contractor

Town of Tallulah Falls \_\_\_\_\_  
Name of Public Employer

I hereby declare under penalty of perjury that the foregoing is true and correct.

Executed on \_\_\_\_\_, \_\_\_\_, 201\_\_ in \_\_\_\_\_(city), \_\_\_\_\_(state).

\_\_\_\_\_  
Signature of Authorized Officer or Agent

\_\_\_\_\_  
Printed Name and Title of Authorized Officer or Agent

SUBSCRIBED AND SWORN BEFORE ME  
ON THIS THE \_\_\_\_\_ DAY OF \_\_\_\_\_, 201\_\_.

\_\_\_\_\_  
NOTARY PUBLIC

My Commission Expires: \_\_\_\_\_

**CERTIFICATION OF SPONSOR**

**DRUG-FREE WORKPLACE**

I hereby certify that I am a principle and duly authorized representative of \_\_\_\_\_, ("Contractor"), whose address is

\_\_\_\_\_, and I further certify that:

- (1) The provisions of Section 50-24-1 through 50-24-6 of the Official Code of Georgia Annotated, relating to the "Drug-Free Workplace Act" have been complied with in full; and
- (2) A drug-free workplace will be provided for Contractor's employees during the performance of the Agreement; and
- (3) Each Subcontractor hired by Contractor shall be required to ensure that the subcontractor's employees are provided a drug-free workplace. Contractor shall secure from that subcontractor the following written certification: "As part of the subcontracting agreement with Contractor, \_\_\_\_\_ certifies to Contractor that a drug-free workplace will be provided for the Subcontractor's employees during the performance of this Agreement pursuant to paragraph (7) of subsection (b) of the Official Code of Georgia Annotated, Section 50-24-3"; and
- (4) The undersigned will not engage in unlawful manufacture, sale, distribution, dispensation, possession, or use of a controlled substance or marijuana during the performance of the Agreement.

CONTRACTOR:

Date: \_\_\_\_\_ Signature: \_\_\_\_\_

Title: \_\_\_\_\_

## INSURANCE REQUIREMENTS

**Within 10 days of execution of this Agreement, and at all times that this Contract is in force, the Contractor shall obtain, maintain and furnish the City Certificates of Insurance from licensed companies doing business in the State of Georgia with an A.M. Best Rating A-6 or higher and acceptable to the City covering:**

1. Statutory Workers' Compensation Insurance
  - (a) Employers Liability:
    - Bodily Injury by Accident - \$1,000,000 each accident
    - Bodily Injury by Disease - \$1,000,000 policy limit
    - Bodily Injury by Disease - \$1,000,000 each employee
  
2. Commercial General Liability Insurance
  - (a) \$1,000,000 limit of liability per occurrence for bodily injury and property damage  
Owner's and Contractor's Protective
  - (b) Blanket Contractual Liability
  - (c) Blanket "X", "C", and "U"
  - (d) Products/Completed Operations Insurance
  - (e) Broad Form Property Damage
  - (f) Personal Injury coverage
  
3. Auto Liability Insurance
  - (a) \$500,000 limit of liability per occurrence for bodily injury and property damage
  - (b) Comprehensive form covering all owned, non-owned, leased, and hired vehicles
  
4. Umbrella Liability Insurance - \$1,000,000 limit of liability
  - (a) Coverage at least as broad as primary coverage as outlined under Items 1, 2 and 3 above
  
5. The Town of Tallulah Falls, Georgia, and its subcontractors and affiliated companies, their officers, directors, employees shall be named on the Certificates of Insurance as additional insured and endorsed onto the policies for Comprehensive General Liability, Automobile Liability and Umbrella Liability insurance maintained pursuant to this Contract in connection with liability of the Town of Tallulah Falls and their affiliated companies and their officers, directors and employees arising out of Contractor's operations. Copies of the endorsements shall be furnished to the Town upon execution of this Agreement. Such insurance is primary insurance and shall contain a Severability of Interest clause as respects each insured. Such policies shall be non-cancelable except on thirty (30) days written notice to the Town. Any separate insurance maintained in force by the additional insured named above shall not contribute to the insurance extended by Contractor's insurer(s) under this additional insured provision.

Certificate Holder should read:

Town of Tallulah Falls  
PO Box 56  
255 Main Street  
Tallulah Falls, GA 30573

**O.C.G.A. § 50-36-1(e)(2) SAVE Affidavit  
Verifying Status for City Public Benefit**

**\*\*This form is required for ALL LICENSES/PERMITS by State Law\*\***

By executing this affidavit under oath, as an applicant for a(n) \_\_\_\_\_ [business license, occupational tax certificate or other document required to operate a business], as referenced in O.C.G.A. § 50-36-1, from the City of Dunwoody, Georgia, the undersigned applicant verifies one of the following with respect to my application for a public benefit:

- 1) \_\_\_\_\_ I am a United States citizen  
(Must include copy of either current State Driver's License, Passport, or Military ID)
- 2) \_\_\_\_\_ I am a legal permanent resident of the United States\*\*  
(Must include a copy of your current State Driver's License and either a copy of your Permanent Resident Card or Employment Authorization Card)
- 3) \_\_\_\_\_ I am a qualified alien or non-immigrant under the Federal Immigration and Nationality Act with an alien number issued by the Department of Homeland Security or other federal immigration agency.\*\*  
(Must include a copy of your current State Driver's License and either a copy of your Permanent Resident Card or Employment Authorization Card)

\*\*My alien number issued by the Department of Homeland Security or other federal immigration agency is: \_\_\_\_\_.

The undersigned applicant also hereby verifies that he or she is 18 years of age or older and has provided at least one secure and verifiable document, as required by O.C.G.A. § 50-36-1(e)(1), with this affidavit.

The secure and verifiable document provided with this affidavit can best be classified as:

\_\_\_\_\_  
In making the above representation under oath, I understand that any person who knowingly and willfully makes a false, fictitious, or fraudulent statement or representation in an affidavit shall be guilty of a violation of O.C.G.A. § 16-10-20, and face criminal penalties as allowed by such criminal statute.

\_\_\_\_\_  
Signature of Applicant

\_\_\_\_\_  
Date

\_\_\_\_\_  
Printed Name of Applicant

Executed in \_\_\_\_\_ (city), \_\_\_\_\_ (state).

SUBSCRIBED AND SWORN BEFORE ME ON THIS THE \_\_\_\_ DAY OF \_\_\_\_\_, 20\_\_.

\_\_\_\_\_  
NOTARY PUBLIC/SEAL

My Commission Expires: \_\_\_\_\_

\*\*Please see the SAVE FAQ for a list of acceptable and unacceptable Identification Documents.

## Request for Taxpayer Identification Number and Certification

**Give Form to the  
 requester. Do not  
 send to the IRS.**

<b>Print or type See Specific Instructions on page 2.</b>	Name (as shown on your income tax return)	
	Business name/disregarded entity name, if different from above	
	Check appropriate box for federal tax classification: <input type="checkbox"/> Individual/sole proprietor <input type="checkbox"/> C Corporation <input type="checkbox"/> S Corporation <input type="checkbox"/> Partnership <input type="checkbox"/> Trust/estate  <input type="checkbox"/> Limited liability company. Enter the tax classification (C=C corporation, S=S corporation, P=partnership) ▶ _____  <input type="checkbox"/> Other (see instructions) ▶ _____	Exemptions (see instructions):  Exempt payee code (if any) _____ Exemption from FATCA reporting code (if any) _____
	Address (number, street, and apt. or suite no.)	Requester's name and address (optional)
	City, state, and ZIP code	
List account number(s) here (optional)		

### Part I Taxpayer Identification Number (TIN)

Enter your TIN in the appropriate box. The TIN provided must match the name given on the "Name" line to avoid backup withholding. For individuals, this is your social security number (SSN). However, for a resident alien, sole proprietor, or disregarded entity, see the Part I instructions on page 3. For other entities, it is your employer identification number (EIN). If you do not have a number, see *How to get a TIN* on page 3.

Social security number									

**Note.** If the account is in more than one name, see the chart on page 4 for guidelines on whose number to enter.

Employer identification number									

### Part II Certification

Under penalties of perjury, I certify that:

1. The number shown on this form is my correct taxpayer identification number (or I am waiting for a number to be issued to me), and
2. I am not subject to backup withholding because: (a) I am exempt from backup withholding, or (b) I have not been notified by the Internal Revenue Service (IRS) that I am subject to backup withholding as a result of a failure to report all interest or dividends, or (c) the IRS has notified me that I am no longer subject to backup withholding, and
3. I am a U.S. citizen or other U.S. person (defined below), and
4. The FATCA code(s) entered on this form (if any) indicating that I am exempt from FATCA reporting is correct.

**Certification instructions.** You must cross out item 2 above if you have been notified by the IRS that you are currently subject to backup withholding because you have failed to report all interest and dividends on your tax return. For real estate transactions, item 2 does not apply. For mortgage interest paid, acquisition or abandonment of secured property, cancellation of debt, contributions to an individual retirement arrangement (IRA), and generally, payments other than interest and dividends, you are not required to sign the certification, but you must provide your correct TIN. See the instructions on page 3.

<b>Sign Here</b>	Signature of U.S. person ▶	Date ▶
------------------	----------------------------	--------

### General Instructions

Section references are to the Internal Revenue Code unless otherwise noted.

**Future developments.** The IRS has created a page on IRS.gov for information about Form W-9, at [www.irs.gov/w9](http://www.irs.gov/w9). Information about any future developments affecting Form W-9 (such as legislation enacted after we release it) will be posted on that page.

#### Purpose of Form

A person who is required to file an information return with the IRS must obtain your correct taxpayer identification number (TIN) to report, for example, income paid to you, payments made to you in settlement of payment card and third party network transactions, real estate transactions, mortgage interest you paid, acquisition or abandonment of secured property, cancellation of debt, or contributions you made to an IRA.

Use Form W-9 only if you are a U.S. person (including a resident alien), to provide your correct TIN to the person requesting it (the requester) and, when applicable, to:

1. Certify that the TIN you are giving is correct (or you are waiting for a number to be issued),
2. Certify that you are not subject to backup withholding, or
3. Claim exemption from backup withholding if you are a U.S. exempt payee. If applicable, you are also certifying that as a U.S. person, your allocable share of any partnership income from a U.S. trade or business is not subject to the

withholding tax on foreign partners' share of effectively connected income, and

4. Certify that FATCA code(s) entered on this form (if any) indicating that you are exempt from the FATCA reporting, is correct.

**Note.** If you are a U.S. person and a requester gives you a form other than Form W-9 to request your TIN, you must use the requester's form if it is substantially similar to this Form W-9.

**Definition of a U.S. person.** For federal tax purposes, you are considered a U.S. person if you are:

- An individual who is a U.S. citizen or U.S. resident alien,
- A partnership, corporation, company, or association created or organized in the United States or under the laws of the United States,
- An estate (other than a foreign estate), or
- A domestic trust (as defined in Regulations section 301.7701-7).

**Special rules for partnerships.** Partnerships that conduct a trade or business in the United States are generally required to pay a withholding tax under section 1446 on any foreign partners' share of effectively connected taxable income from such business. Further, in certain cases where a Form W-9 has not been received, the rules under section 1446 require a partnership to presume that a partner is a foreign person, and pay the section 1446 withholding tax. Therefore, if you are a U.S. person that is a partner in a partnership conducting a trade or business in the United States, provide Form W-9 to the partnership to establish your U.S. status and avoid section 1446 withholding on your share of partnership income.



In the cases below, the following person must give Form W-9 to the partnership for purposes of establishing its U.S. status and avoiding withholding on its allocable share of net income from the partnership conducting a trade or business in the United States:

- In the case of a disregarded entity with a U.S. owner, the U.S. owner of the disregarded entity and not the entity,
- In the case of a grantor trust with a U.S. grantor or other U.S. owner, generally, the U.S. grantor or other U.S. owner of the grantor trust and not the trust, and
- In the case of a U.S. trust (other than a grantor trust), the U.S. trust (other than a grantor trust) and not the beneficiaries of the trust.

**Foreign person.** If you are a foreign person or the U.S. branch of a foreign bank that has elected to be treated as a U.S. person, do not use Form W-9. Instead, use the appropriate Form W-8 or Form 8233 (see Publication 515, Withholding of Tax on Nonresident Aliens and Foreign Entities).

**Nonresident alien who becomes a resident alien.** Generally, only a nonresident alien individual may use the terms of a tax treaty to reduce or eliminate U.S. tax on certain types of income. However, most tax treaties contain a provision known as a "saving clause." Exceptions specified in the saving clause may permit an exemption from tax to continue for certain types of income even after the payee has otherwise become a U.S. resident alien for tax purposes.

If you are a U.S. resident alien who is relying on an exception contained in the saving clause of a tax treaty to claim an exemption from U.S. tax on certain types of income, you must attach a statement to Form W-9 that specifies the following five items:

1. The treaty country. Generally, this must be the same treaty under which you claimed exemption from tax as a nonresident alien.
2. The treaty article addressing the income.
3. The article number (or location) in the tax treaty that contains the saving clause and its exceptions.
4. The type and amount of income that qualifies for the exemption from tax.
5. Sufficient facts to justify the exemption from tax under the terms of the treaty article.

**Example.** Article 20 of the U.S.-China income tax treaty allows an exemption from tax for scholarship income received by a Chinese student temporarily present in the United States. Under U.S. law, this student will become a resident alien for tax purposes if his or her stay in the United States exceeds 5 calendar years. However, paragraph 2 of the first Protocol to the U.S.-China treaty (dated April 30, 1984) allows the provisions of Article 20 to continue to apply even after the Chinese student becomes a resident alien of the United States. A Chinese student who qualifies for this exception (under paragraph 2 of the first protocol) and is relying on this exception to claim an exemption from tax on his or her scholarship or fellowship income would attach to Form W-9 a statement that includes the information described above to support that exemption.

If you are a nonresident alien or a foreign entity, give the requester the appropriate completed Form W-8 or Form 8233.

**What is backup withholding?** Persons making certain payments to you must under certain conditions withhold and pay to the IRS a percentage of such payments. This is called "backup withholding." Payments that may be subject to backup withholding include interest, tax-exempt interest, dividends, broker and barter exchange transactions, rents, royalties, nonemployee pay, payments made in settlement of payment card and third party network transactions, and certain payments from fishing boat operators. Real estate transactions are not subject to backup withholding.

You will not be subject to backup withholding on payments you receive if you give the requester your correct TIN, make the proper certifications, and report all your taxable interest and dividends on your tax return.

### Payments you receive will be subject to backup withholding if:

1. You do not furnish your TIN to the requester,
2. You do not certify your TIN when required (see the Part II instructions on page 3 for details),
3. The IRS tells the requester that you furnished an incorrect TIN,
4. The IRS tells you that you are subject to backup withholding because you did not report all your interest and dividends on your tax return (for reportable interest and dividends only), or
5. You do not certify to the requester that you are not subject to backup withholding under 4 above (for reportable interest and dividend accounts opened after 1983 only).

Certain payees and payments are exempt from backup withholding. See *Exempt payee code* on page 3 and the separate Instructions for the Requester of Form W-9 for more information.

Also see *Special rules for partnerships* on page 1.

**What is FATCA reporting?** The Foreign Account Tax Compliance Act (FATCA) requires a participating foreign financial institution to report all United States account holders that are specified United States persons. Certain payees are exempt from FATCA reporting. See *Exemption from FATCA reporting code* on page 3 and the Instructions for the Requester of Form W-9 for more information.

## Updating Your Information

You must provide updated information to any person to whom you claimed to be an exempt payee if you are no longer an exempt payee and anticipate receiving reportable payments in the future from this person. For example, you may need to provide updated information if you are a C corporation that elects to be an S corporation, or if you no longer are tax exempt. In addition, you must furnish a new Form W-9 if the name or TIN changes for the account, for example, if the grantor of a grantor trust dies.

## Penalties

**Failure to furnish TIN.** If you fail to furnish your correct TIN to a requester, you are subject to a penalty of \$50 for each such failure unless your failure is due to reasonable cause and not to willful neglect.

**Civil penalty for false information with respect to withholding.** If you make a false statement with no reasonable basis that results in no backup withholding, you are subject to a \$500 penalty.

**Criminal penalty for falsifying information.** Willfully falsifying certifications or affirmations may subject you to criminal penalties including fines and/or imprisonment.

**Misuse of TINs.** If the requester discloses or uses TINs in violation of federal law, the requester may be subject to civil and criminal penalties.

## Specific Instructions

### Name

If you are an individual, you must generally enter the name shown on your income tax return. However, if you have changed your last name, for instance, due to marriage without informing the Social Security Administration of the name change, enter your first name, the last name shown on your social security card, and your new last name.

If the account is in joint names, list first, and then circle, the name of the person or entity whose number you entered in Part I of the form.

**Sole proprietor.** Enter your individual name as shown on your income tax return on the "Name" line. You may enter your business, trade, or "doing business as (DBA)" name on the "Business name/disregarded entity name" line.

**Partnership, C Corporation, or S Corporation.** Enter the entity's name on the "Name" line and any business, trade, or "doing business as (DBA) name" on the "Business name/disregarded entity name" line.

**Disregarded entity.** For U.S. federal tax purposes, an entity that is disregarded as an entity separate from its owner is treated as a "disregarded entity." See Regulation section 301.7701-2(c)(2)(iii). Enter the owner's name on the "Name" line. The name of the entity entered on the "Name" line should never be a disregarded entity. The name on the "Name" line must be the name shown on the income tax return on which the income should be reported. For example, if a foreign LLC that is treated as a disregarded entity for U.S. federal tax purposes has a single owner that is a U.S. person, the U.S. owner's name is required to be provided on the "Name" line. If the direct owner of the entity is also a disregarded entity, enter the first owner that is not disregarded for federal tax purposes. Enter the disregarded entity's name on the "Business name/disregarded entity name" line. If the owner of the disregarded entity is a foreign person, the owner must complete an appropriate Form W-8 instead of a Form W-9. This is the case even if the foreign person has a U.S. TIN.

**Note.** Check the appropriate box for the U.S. federal tax classification of the person whose name is entered on the "Name" line (Individual/sole proprietor, Partnership, C Corporation, S Corporation, Trust/estate).

**Limited Liability Company (LLC).** If the person identified on the "Name" line is an LLC, check the "Limited liability company" box only and enter the appropriate code for the U.S. federal tax classification in the space provided. If you are an LLC that is treated as a partnership for U.S. federal tax purposes, enter "P" for partnership. If you are an LLC that has filed a Form 8832 or a Form 2553 to be taxed as a corporation, enter "C" for C corporation or "S" for S corporation, as appropriate. If you are an LLC that is disregarded as an entity separate from its owner under Regulation section 301.7701-3 (except for employment and excise tax), do not check the LLC box unless the owner of the LLC (required to be identified on the "Name" line) is another LLC that is not disregarded for U.S. federal tax purposes. If the LLC is disregarded as an entity separate from its owner, enter the appropriate tax classification of the owner identified on the "Name" line.

**Other entities.** Enter your business name as shown on required U.S. federal tax documents on the "Name" line. This name should match the name shown on the charter or other legal document creating the entity. You may enter any business, trade, or DBA name on the "Business name/disregarded entity name" line.

## Exemptions

If you are exempt from backup withholding and/or FATCA reporting, enter in the *Exemptions* box, any code(s) that may apply to you. See *Exempt payee code* and *Exemption from FATCA reporting code* on page 3.

**Exempt payee code.** Generally, individuals (including sole proprietors) are not exempt from backup withholding. Corporations are exempt from backup withholding for certain payments, such as interest and dividends. Corporations are not exempt from backup withholding for payments made in settlement of payment card or third party network transactions.

**Note.** If you are exempt from backup withholding, you should still complete this form to avoid possible erroneous backup withholding.

The following codes identify payees that are exempt from backup withholding:

- 1—An organization exempt from tax under section 501(a), any IRA, or a custodial account under section 403(b)(7) if the account satisfies the requirements of section 401(f)(2)
- 2—The United States or any of its agencies or instrumentalities
- 3—A state, the District of Columbia, a possession of the United States, or any of their political subdivisions or instrumentalities
- 4—A foreign government or any of its political subdivisions, agencies, or instrumentalities
- 5—A corporation
- 6—A dealer in securities or commodities required to register in the United States, the District of Columbia, or a possession of the United States
- 7—A futures commission merchant registered with the Commodity Futures Trading Commission
- 8—A real estate investment trust
- 9—An entity registered at all times during the tax year under the Investment Company Act of 1940
- 10—A common trust fund operated by a bank under section 584(a)
- 11—A financial institution
- 12—A middleman known in the investment community as a nominee or custodian
- 13—A trust exempt from tax under section 664 or described in section 4947

The following chart shows types of payments that may be exempt from backup withholding. The chart applies to the exempt payees listed above, 1 through 13.

IF the payment is for . . .	THEN the payment is exempt for . . .
Interest and dividend payments	All exempt payees except for 7
Broker transactions	Exempt payees 1 through 4 and 6 through 11 and all C corporations. S corporations must not enter an exempt payee code because they are exempt only for sales of noncovered securities acquired prior to 2012.
Barter exchange transactions and patronage dividends	Exempt payees 1 through 4
Payments over \$600 required to be reported and direct sales over \$5,000 <sup>1</sup>	Generally, exempt payees 1 through 5 <sup>2</sup>
Payments made in settlement of payment card or third party network transactions	Exempt payees 1 through 4

<sup>1</sup> See Form 1099-MISC, Miscellaneous Income, and its instructions.

<sup>2</sup> However, the following payments made to a corporation and reportable on Form 1099-MISC are not exempt from backup withholding: medical and health care payments, attorneys' fees, gross proceeds paid to an attorney, and payments for services paid by a federal executive agency.

**Exemption from FATCA reporting code.** The following codes identify payees that are exempt from reporting under FATCA. These codes apply to persons submitting this form for accounts maintained outside of the United States by certain foreign financial institutions. Therefore, if you are only submitting this form for an account you hold in the United States, you may leave this field blank. Consult with the person requesting this form if you are uncertain if the financial institution is subject to these requirements.

- A—An organization exempt from tax under section 501(a) or any individual retirement plan as defined in section 7701(a)(37)
- B—The United States or any of its agencies or instrumentalities
- C—A state, the District of Columbia, a possession of the United States, or any of their political subdivisions or instrumentalities
- D—A corporation the stock of which is regularly traded on one or more established securities markets, as described in Reg. section 1.1472-1(c)(1)(i)
- E—A corporation that is a member of the same expanded affiliated group as a corporation described in Reg. section 1.1472-1(c)(1)(i)
- F—A dealer in securities, commodities, or derivative financial instruments (including notional principal contracts, futures, forwards, and options) that is registered as such under the laws of the United States or any state

- G—A real estate investment trust
- H—A regulated investment company as defined in section 851 or an entity registered at all times during the tax year under the Investment Company Act of 1940
- I—A common trust fund as defined in section 584(a)
- J—A bank as defined in section 581
- K—A broker
- L—A trust exempt from tax under section 664 or described in section 4947(a)(1)
- M—A tax exempt trust under a section 403(b) plan or section 457(g) plan

**Part I. Taxpayer Identification Number (TIN)**

**Enter your TIN in the appropriate box.** If you are a resident alien and you do not have and are not eligible to get an SSN, your TIN is your IRS individual taxpayer identification number (ITIN). Enter it in the social security number box. If you do not have an ITIN, see *How to get a TIN* below.

If you are a sole proprietor and you have an EIN, you may enter either your SSN or EIN. However, the IRS prefers that you use your SSN.

If you are a single-member LLC that is disregarded as an entity separate from its owner (see *Limited Liability Company (LLC)* on page 2), enter the owner's SSN (or EIN, if the owner has one). Do not enter the disregarded entity's EIN. If the LLC is classified as a corporation or partnership, enter the entity's EIN.

**Note.** See the chart on page 4 for further clarification of name and TIN combinations.

**How to get a TIN.** If you do not have a TIN, apply for one immediately. To apply for an SSN, get Form SS-5, Application for a Social Security Card, from your local Social Security Administration office or get this form online at [www.ssa.gov](http://www.ssa.gov). You may also get this form by calling 1-800-772-1213. Use Form W-7, Application for IRS Individual Taxpayer Identification Number, to apply for an ITIN, or Form SS-4, Application for Employer Identification Number, to apply for an EIN. You can apply for an EIN online by accessing the IRS website at [www.irs.gov/businesses](http://www.irs.gov/businesses) and clicking on Employer Identification Number (EIN) under Starting a Business. You can get Forms W-7 and SS-4 from the IRS by visiting [IRS.gov](http://IRS.gov) or by calling 1-800-TAX-FORM (1-800-829-3676).

If you are asked to complete Form W-9 but do not have a TIN, apply for a TIN and write "Applied For" in the space for the TIN, sign and date the form, and give it to the requester. For interest and dividend payments, and certain payments made with respect to readily tradable instruments, generally you will have 60 days to get a TIN and give it to the requester before you are subject to backup withholding on payments. The 60-day rule does not apply to other types of payments. You will be subject to backup withholding on all such payments until you provide your TIN to the requester.

**Note.** Entering "Applied For" means that you have already applied for a TIN or that you intend to apply for one soon.

**Caution:** A disregarded U.S. entity that has a foreign owner must use the appropriate Form W-8.

**Part II. Certification**

To establish to the withholding agent that you are a U.S. person, or resident alien, sign Form W-9. You may be requested to sign by the withholding agent even if items 1, 4, or 5 below indicate otherwise.

For a joint account, only the person whose TIN is shown in Part I should sign (when required). In the case of a disregarded entity, the person identified on the "Name" line must sign. Exempt payees, see *Exempt payee code* earlier.

**Signature requirements.** Complete the certification as indicated in items 1 through 5 below.

**1. Interest, dividend, and barter exchange accounts opened before 1984 and broker accounts considered active during 1983.** You must give your correct TIN, but you do not have to sign the certification.

**2. Interest, dividend, broker, and barter exchange accounts opened after 1983 and broker accounts considered inactive during 1983.** You must sign the certification or backup withholding will apply. If you are subject to backup withholding and you are merely providing your correct TIN to the requester, you must cross out item 2 in the certification before signing the form.

**3. Real estate transactions.** You must sign the certification. You may cross out item 2 of the certification.

**4. Other payments.** You must give your correct TIN, but you do not have to sign the certification unless you have been notified that you have previously given an incorrect TIN. "Other payments" include payments made in the course of the requester's trade or business for rents, royalties, goods (other than bills for merchandise), medical and health care services (including payments to corporations), payments to a nonemployee for services, payments made in settlement of payment card and third party network transactions, payments to certain fishing boat crew members and fishermen, and gross proceeds paid to attorneys (including payments to corporations).

**5. Mortgage interest paid by you, acquisition or abandonment of secured property, cancellation of debt, qualified tuition program payments (under section 529), IRA, Coverdell ESA, Archer MSA or HSA contributions or distributions, and pension distributions.** You must give your correct TIN, but you do not have to sign the certification.

**What Name and Number To Give the Requester**

For this type of account:	Give name and SSN of:
1. Individual	The individual
2. Two or more individuals (joint account)	The actual owner of the account or, if combined funds, the first individual on the account <sup>1</sup>
3. Custodian account of a minor (Uniform Gift to Minors Act)	The minor <sup>2</sup>
4. a. The usual revocable savings trust (grantor is also trustee)	The grantor-trustee <sup>1</sup>
b. So-called trust account that is not a legal or valid trust under state law	The actual owner <sup>1</sup>
5. Sole proprietorship or disregarded entity owned by an individual	The owner <sup>3</sup>
6. Grantor trust filing under Optional Form 1099 Filing Method 1 (see Regulation section 1.671-4(b)(2)(i)(A))	The grantor*
For this type of account:	Give name and EIN of:
7. Disregarded entity not owned by an individual	The owner
8. A valid trust, estate, or pension trust	Legal entity <sup>4</sup>
9. Corporation or LLC electing corporate status on Form 8832 or Form 2553	The corporation
10. Association, club, religious, charitable, educational, or other tax-exempt organization	The organization
11. Partnership or multi-member LLC	The partnership
12. A broker or registered nominee	The broker or nominee
13. Account with the Department of Agriculture in the name of a public entity (such as a state or local government, school district, or prison) that receives agricultural program payments	The public entity
14. Grantor trust filing under the Form 1041 Filing Method or the Optional Form 1099 Filing Method 2 (see Regulation section 1.671-4(b)(2)(i)(B))	The trust

<sup>1</sup> List first and circle the name of the person whose number you furnish. If only one person on a joint account has an SSN, that person's number must be furnished.

<sup>2</sup> Circle the minor's name and furnish the minor's SSN.

<sup>3</sup> You must show your individual name and you may also enter your business or "DBA" name on the "Business name/disregarded entity" name line. You may use either your SSN or EIN (if you have one), but the IRS encourages you to use your SSN.

<sup>4</sup> List first and circle the name of the trust, estate, or pension trust. (Do not furnish the TIN of the personal representative or trustee unless the legal entity itself is not designated in the account title.) Also see *Special rules for partnerships* on page 1.

\*Note. Grantor also must provide a Form W-9 to trustee of trust.

**Note.** If no name is circled when more than one name is listed, the number will be considered to be that of the first name listed.

**Secure Your Tax Records from Identity Theft**

Identity theft occurs when someone uses your personal information such as your name, social security number (SSN), or other identifying information, without your permission, to commit fraud or other crimes. An identity thief may use your SSN to get a job or may file a tax return using your SSN to receive a refund.

To reduce your risk:

- Protect your SSN,
- Ensure your employer is protecting your SSN, and
- Be careful when choosing a tax preparer.

If your tax records are affected by identity theft and you receive a notice from the IRS, respond right away to the name and phone number printed on the IRS notice or letter.

If your tax records are not currently affected by identity theft but you think you are at risk due to a lost or stolen purse or wallet, questionable credit card activity or credit report, contact the IRS Identity Theft Hotline at 1-800-908-4490 or submit Form 14039.

For more information, see Publication 4535, Identity Theft Prevention and Victim Assistance.

Victims of identity theft who are experiencing economic harm or a system problem, or are seeking help in resolving tax problems that have not been resolved through normal channels, may be eligible for Taxpayer Advocate Service (TAS) assistance. You can reach TAS by calling the TAS toll-free case intake line at 1-877-777-4778 or TTY/TDD 1-800-829-4059.

**Protect yourself from suspicious emails or phishing schemes.** Phishing is the creation and use of email and websites designed to mimic legitimate business emails and websites. The most common act is sending an email to a user falsely claiming to be an established legitimate enterprise in an attempt to scam the user into surrendering private information that will be used for identity theft.

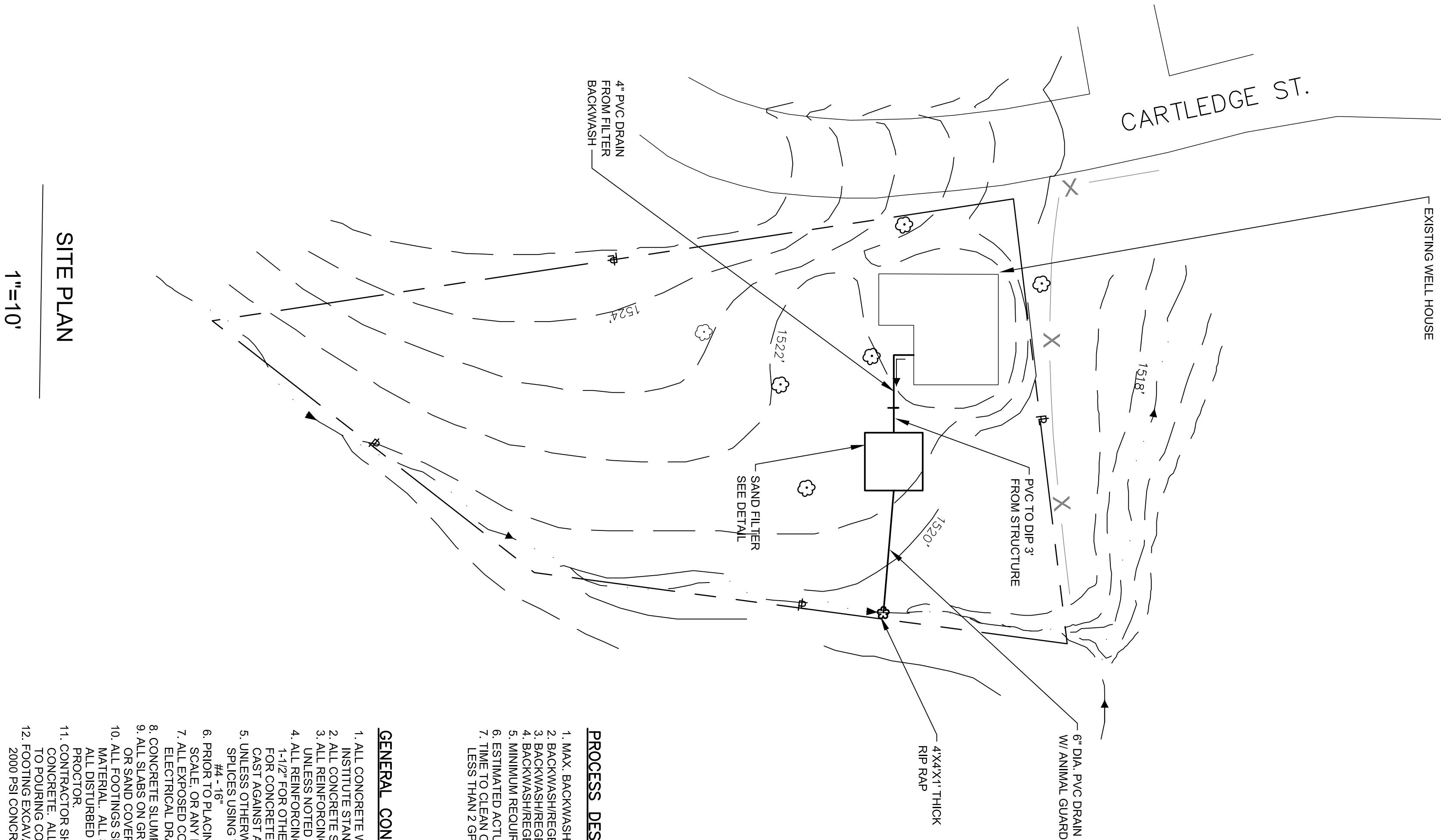
The IRS does not initiate contacts with taxpayers via emails. Also, the IRS does not request personal detailed information through email or ask taxpayers for the PIN numbers, passwords, or similar secret access information for their credit card, bank, or other financial accounts.

If you receive an unsolicited email claiming to be from the IRS, forward this message to [phishing@irs.gov](mailto:phishing@irs.gov). You may also report misuse of the IRS name, logo, or other IRS property to the Treasury Inspector General for Tax Administration at 1-800-366-4484. You can forward suspicious emails to the Federal Trade Commission at: [spam@uce.gov](mailto:spam@uce.gov) or contact them at [www.ftc.gov/idtheft](http://www.ftc.gov/idtheft) or 1-877-IDTHEFT (1-877-438-4338).

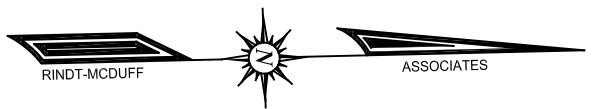
Visit [IRS.gov](http://IRS.gov) to learn more about identity theft and how to reduce your risk.

**Privacy Act Notice**

Section 6109 of the Internal Revenue Code requires you to provide your correct TIN to persons (including federal agencies) who are required to file information returns with the IRS to report interest, dividends, or certain other income paid to you; mortgage interest you paid; the acquisition or abandonment of secured property; the cancellation of debt; or contributions you made to an IRA, Archer MSA, or HSA. The person collecting this form uses the information on the form to file information returns with the IRS, reporting the above information. Routine uses of this information include giving it to the Department of Justice for civil and criminal litigation and to cities, states, the District of Columbia, and U.S. commonwealths and possessions for use in administering their laws. The information also may be disclosed to other countries under a treaty, to federal and state agencies to enforce civil and criminal laws, or to federal law enforcement and intelligence agencies to combat terrorism. You must provide your TIN whether or not you are required to file a tax return. Under section 3406, payers must generally withhold a percentage of taxable interest, dividend, and certain other payments to a payee who does not give a TIN to the payer. Certain penalties may also apply for providing false or fraudulent information.

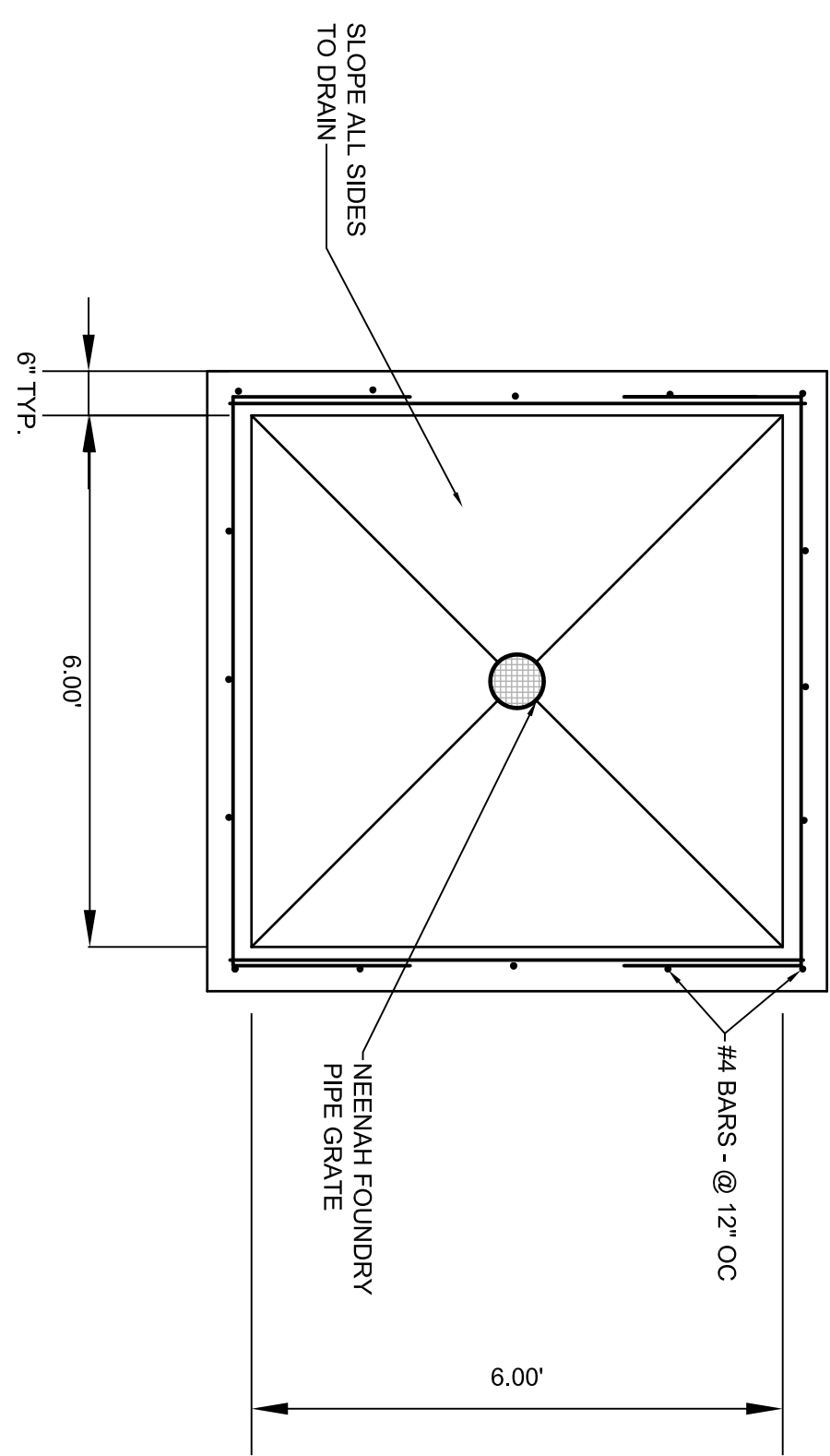


**SITE PLAN**  
1"=10'

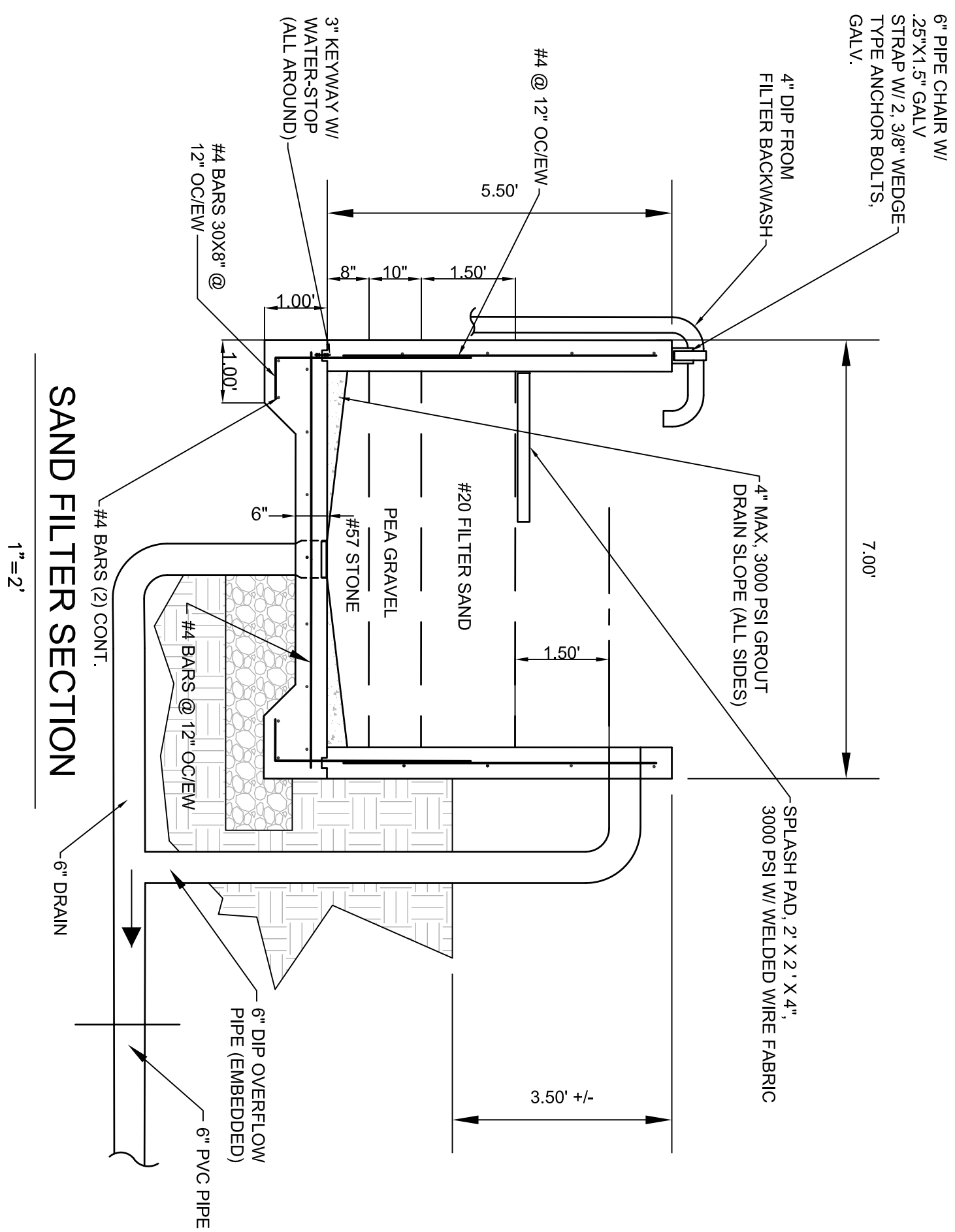


- PROCESS DESIGN**
1. MAX. BACKWASH/REGEN. FLOWRATE= 60 GPM
  2. BACKWASH/REGEN. = 2,400 GAL.
  3. BACKWASH/REGEN. FREQ= 1/DAY
  4. BACKWASH/REGEN. TIME @ 60 GPM= 40 MIN.
  5. MINIMUM REQUIRED FILTRATION RATE= 17 GPM/SQ. FT.
  6. ESTIMATED DAILY FLOW= 150,000 GPM/24 HRS OR LESS THAN 2 GPM/SQ. FT. (72 GPM)
  7. LESS THAN 2 GPM/SQ. FT. (72 GPM)

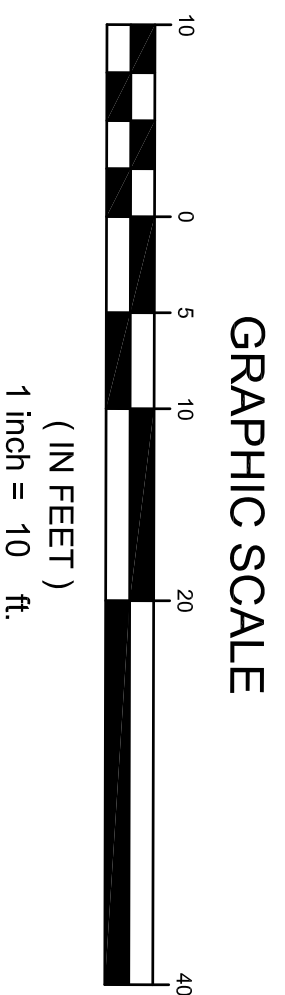
- GENERAL CONCRETE NOTES**
1. ALL CONCRETE WORK SHALL CONFORM TO THE AMERICAN CONCRETE INSTITUTE STANDARD 318-83.
  2. ALL CONCRETE SHALL HAVE A 28 DAY COMPRESSIVE STRENGTH OF 4000 PSI.
  3. ALL REINFORCING STEEL SHALL CONFORM TO THE ASTM-615, GRADE 60 UNLESS NOTED OTHERWISE.
  4. ALL REINFORCING STEEL SHALL HAVE A MINIMUM COVER OF 1" FOR SLABS, 2" FOR BEAMS, AND 4" FOR PILES. ALL REINFORCING STEEL SHALL NOT BE EXPOSED TO WEATHER OR EARTH. FOR CONCRETE EXPOSED TO WEATHER OR EARTH, AND 3" FOR CONCRETE CAST AGAINST AND PERMANENTLY EXPOSED TO EARTH, UNLESS NOTED OTHERWISE.
  5. UNLESS OTHERWISE NOTED, REINFORCING LAP SPLICES SHALL BE ACI CLASS B SPLICES USING THE FOLLOWING LAP LENGTHS:  
 6. PRIOR TO PLACING CONCRETE, ALL REINFORCING STEEL SHALL BE FREE OF RUST, SCALE, OR ANY FOREIGN MATERIAL.  
 7. ALL EXPOSED CONCRETE, REFER TO ARCHITECTURAL, PLUMBING, PIPING, AND ELECTRICAL DRAWINGS FOR EMBEDDED ITEMS.  
 8. CONCRETE SLUMP SHALL BE 3" MAX.  
 9. ALL CONCRETE SHALL BE PLACED AND FINISHED ON 4" COMPACTED CRUSHED STONE OR SAND COVERED WITH A 6 MIL. BLACK POLYETHYLENE VAPOR BARRIER MATERIAL. ALL SUB-GRADES SHALL HAVE A BEARING CAPACITY OF 2500 PSF. ALL DISTURBED MATERIAL SHALL BE COMPACTED TO A MINIMUM OF 98% STANDARD PROCTOR.  
 10. ALL DISTURBED MATERIAL SHALL BE COMPACTED TO A MINIMUM OF 98% STANDARD PROCTOR.  
 11. CONTRACTOR SHALL GIVE ENGINEER 48 HOURS NOTICE PRIOR TO POURING ANY CONCRETE. ALL REINFORCING SHALL BE INSPECTED BY THE ENGINEER PRIOR TO POURING CONCRETE.  
 12. FOOTING EXCAVATIONS UNDERCUT BELOW DESIRED LEVEL SHALL BE FILLED WITH 2000 PSI CONCRETE TO BOTTOM LEVEL OF FOOTING.



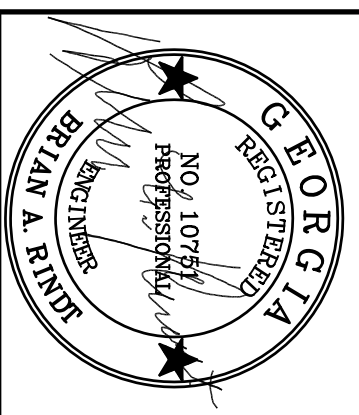
**SAND FILTER PLAN**  
1"=2'



**SAND FILTER SECTION**  
1"=2'



**GRAPHIC SCALE**  
(IN FEET)  
1 inch = 10 ft.



No.	Revisions	Initial	Date



**TOWN OF TALLULAH FALLS**  
**SAND FILTER DETAILS**

Drawn: JEW
Desgn: KFK
Checked: KFK
Project No: R2008-149
Scale: AS SHOWN
Date: 02/22/2019

SHT. of XX